



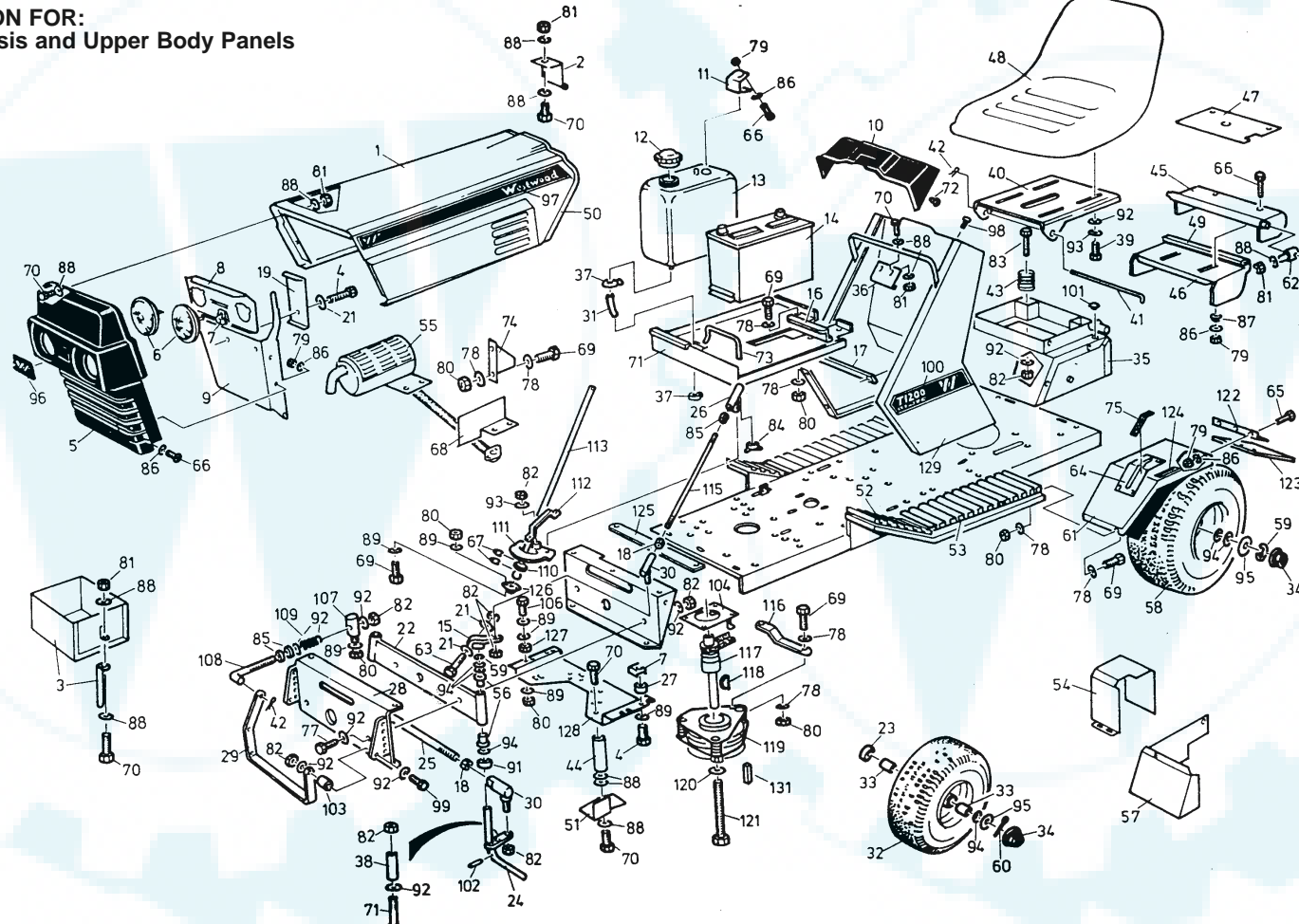
WESTWOOD GARDEN TRACTORS 1993 PARTS CATALOGUE

CONTENTS

	PAGE No.
TRACTOR CHASSIS AND UPPER BODY PANELS	2 – 4
TRANSMISSION, GEAR CHANGE AND PGC LIFTING MECHANISM	5 – 6
ELECTRICS, STEERING WHEEL, PTO, ENGINE ANCILLIARIES, CUTTER ENGAGE AND INSTRUCTION/WARNING LABELS	7 – 9
30" SIDE DISCHARGE SINGLE BLADE CUTTER DECK – 3897	10 – 11
36" TWIN BLADE CUTTER DECK (1993 MODELS)	12 – 13
42" CONTRA-ROTATING CUTTER DECK (1993 MODELS)	14 – 15



ILLUSTRATION FOR:
Tractor Chassis and Upper Body Panels





PARTS LIST FOR: Tractor Chassis and Upper Body Panels

Item	Part No	Description	Qty
1	7659	Bonnet	1
	6781	Bonnet (T1800 & D1200)	1
2	5430	Bonnet Catch	1
3	7599	Air Intake (T1400 & T1800)	1
	7600	Bracket	2
4	5480	Setscrew, M8 x 30 mm	2
5	4682	Grille	1
6	3727	Headlamp	1
7	4309	Nut, M8 "J" Type	5
8	6214	Plate, Headlamp Mounting	1
9	5434	Heat Shield, Grille	1
10	2943	Console Front	1
11	3959	Bracket, Fuel Tank	1
12	3963	Cap, Fuel Tank	1
13	3960	Fuel Tank	1
14	1209	Battery, 12 Volt Type 138	1
15	4930	Steering Arm	1
16	3411	Bracket, Battery Clamp	1
17	3416	Tray, Battery/Fuel Tank	1
18	6776	Locknut, 5/16" UNF LH Thread	2
19	6215	Plate, Headlamp Retaining	1
20	4929	Chassis Bracket (Rear)	1
21	2847	Washer	1
22	2296	Axle Beam	2
	1423	Grease Nipple	2
23	1980	Wheel Spacer	2
24	6200	Stub Axle, Left Hand	1
	6201	Stub Axle, Right Hand	1
25	6778	Track Rod	1
26	6487	Ball Joint, RH Thread	2
27	3683	Spacer	4
28	4926	Chassis Bracket (Front)	1
29	3944	Hitch Bracket (30" Decks)	1
	5506	Hitch Bracket (S1200/36" Deck)	1
	7112	Hitch Bracket (36" Decks)	1

Item	Part No	Description	Qty
	7266	Hitch Bracket (42" Decks)	1
	8017	Hitch Bracket (T1800/42" Deck)	1
30	6515	Ball Joint, LH Thread	1
31	3859	Pipe, Fuel Supply	a/r
32	7520	Front Wheel Assembly (15")	2
	7528	Wheel Rim	2
	7518	Tyre	2
	1540	Inner Tube	2
	7830	Front Wheel Assembly (13")	2
	7888	Tyre	2
	2797	Wheel Rim	2
	1201	Inner Tube	2
33	3354	Bush, Oilite	4
34	4230	Hub Cap	4
35	7854	Centre Body Assembly	1
36	5431	Bonnet Catch	1
37	2828	Clip, Snapper No. 8	2
38	6106	Steering Stop	2
39	2034	Setscrew, 3/8" UNC x 3/4"	4
40	7349	Plate, Seat Mounting	1
41	6646	Pin, Seat Plate	1
42	1225	"R" Clip (Large)	2
43	2898	Seat Spring	2
44	7541	Post, Safety Guard	1
45	3532	PTO Flap (Inner)	1
46	3660	PTO Flap (Outer)	1
47	7749	Plate, PTO Cover	1
	3909	Plate, cover (S800 & S1000)	1
48	7871	Seat	1
49	4229	Trim	p/ft
50	4832	Trim	p/ft
51	7542	Safety Guard	1
52	5644	Foot Mats, Front	1pr
53	5645	Foot Mats, Centre	1pr
54	6223	Heatshield, Muffler (B&S 10 & 12 1/2")	1

Item	Part No	Description	Qty
55	6183	Muffler, Exhaust (Kohler 12 1/2 hp)	4
56	3355	Flanged Bush, Delryn 500	1
57	6355	Heatshield (B&S 12 1/2hp)	2
57	7799	Heatshield (S800)	1
	7804	Heatshield (S1000)	1
58	7519	Rear Wheel Assy – T Series	2
	7527	Wheel Rim	2
	7517	Tyre	2
	1588	Inner Tube	2
	7831	Rear Wheel Assy – S Series	2
	6988	Wheel Rim	2
	7889	Tyre	2
	1748	Inner Tube	2
59	1663	"E" Clip, (AM1500-75)	2
60	1227	Split Pin, 1/8" dia. x 1 3/4"	2
61	7847	Mudguard, LH	1
	7227	Mudguard, LH (S800 & S1000)	1
	7846	Mudguard, RH	1
	6649	Mudguard, RH (S800 & S1000)	1
	6638	Mudguard, RH (S1200)	1
62	3516	Hinge Pin	2
63	1267	Bolt, 3/8" UNF x 2 1/2"	2
64	7127	Plate, Gear Selector	1
65	1734	Machine Screw, 2BA x 1/2"	8
66	1735	Machine Screw, 2BA x 3/4"	6
67	2589	"E" Clip, AM1500-62	2
68	6615	Heatshield, Muffler (12 1/2 hp Kohler)	1
69	1982	Setscrew, 5/16" UNF x 3/4"	22
70	1156	Setscrew, 1/4" UNF x 3/4"	10
71	2025	Bolt, 3/8" UNF x 2 3/4"	1
72	5637	Screw, Self Tapping No. 6 x 3/8"	2
73	6204	Bar, Battery Retaining	1
74	4850	Bracket, Muffler (12 1/2 hp Kohler)	1
75	3484	Label, Gear Indicator	1
76	1054	Bolt, 3/8" UNF x 1 1/2"	1

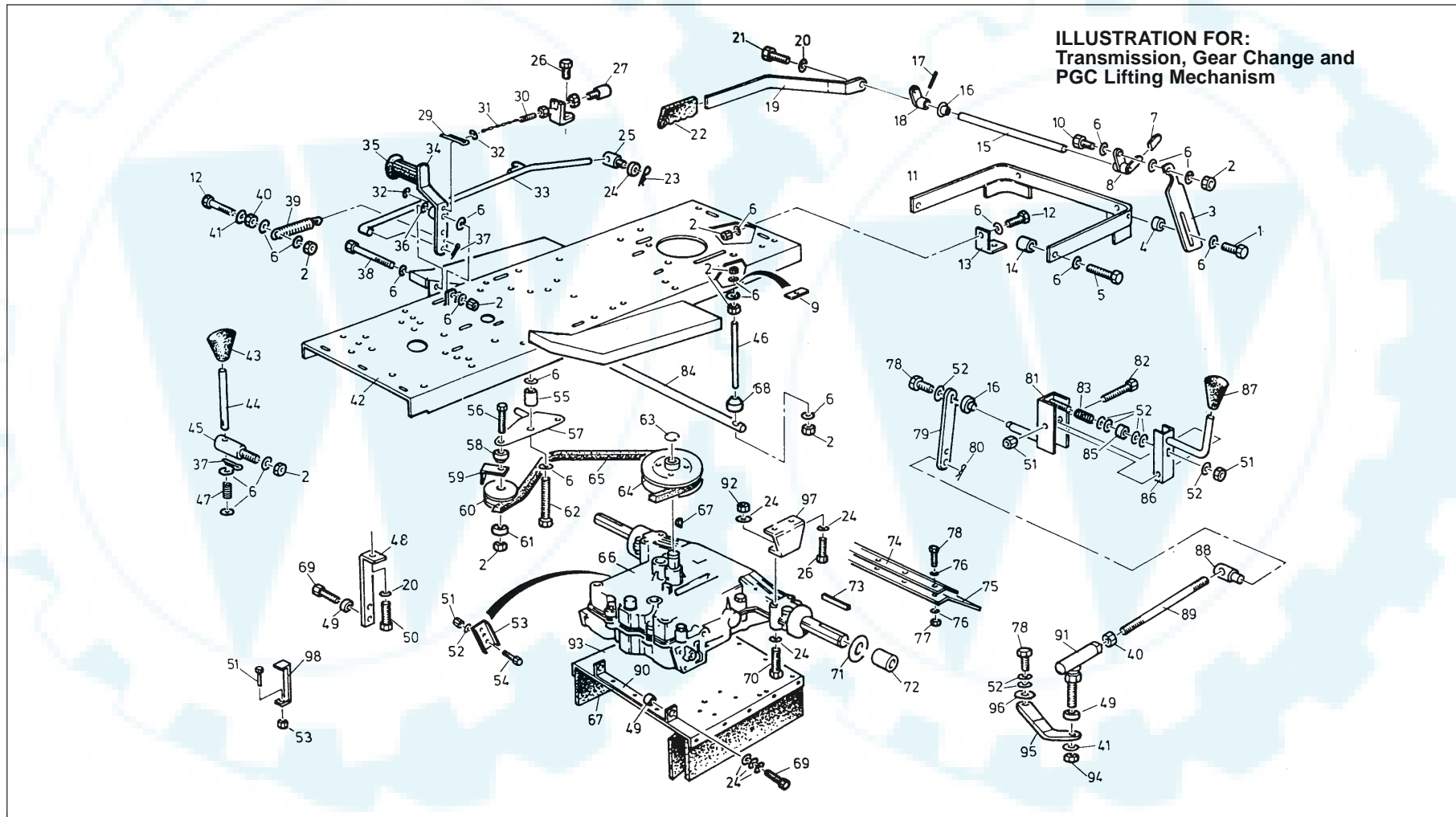


PARTS LIST FOR: Tractor Chassis and Upper Body Panels

Item	Part No	Description	Qty
77	1200	Bolt, 3/8" UNF x 2 1/4"	2
78	1105	Washer, 5/16" dia. (T3L)	24
79	1053	Nut, 2BA Nyloc	37
80	1273	Nut, 5/16" UNF Nyloc	83
81	1270	Nut, 1/4" UNF Nyloc	9
82	1324	Nut, 3/8" UNF Nyloc	24
83	2015	Setscrew, 3/8" UNF x 1"	2
84	6205	Wing Nut, 1/4" UNC	1
85	3792	Locknut, 3/8" UNF	4
86	1962	Washer, 2BA	10
87	3799	Washer, 1/4" dia. Coil Spring	2
88	1331	Washer, 1/4" dia (T3L)	20
89	3613	Washer, 5/16" dia. (T3L)	1
90	1319	Bolt, 3/8" UNF x 2"	4
91	5479	Spacer, Stub Axle	2
92	1323	Washer, 3/8" dia. (T3L)	20
93	1633	Washer, 3/8" dia. Shakeproof	4
94	3712	Washer, Shim 20g	14
	3713	Washer, Shim 16g	8
95	3908	Washer, Hub Cap	6
96	4973	Logo "Westwood" Bonnet Front	1
	4970	Logo "Westwood" Left Hand	1
	4971	Logo "Westwood" Right Hand	1
98	1629	Screw, Self Tapping No. 6 x 3/8"	2
99	1948	Setscrew, 3/8" UNF x 1 1/4"	2
100	6668	Logo, "S800" Left Hand	1
	6669	Logo, "S800" Right hand	1
	6362	Logo, "S1000" Left Hand	1
	6361	Logo, "S1000" Right Hand	1
	6597	Logo, "S1200" Left Hand	1
	6598	Logo, "S1200" Right Hand	1
	4974	Logo, "S1200" Left Hand	1
	4975	Logo, "S1200" Right Hand	1
	6595	Logo, "T1250" Left Hand	1
	6596	Logo, "T1250" Right Hand	1

Item	Part No	Description	Qty
	4988	Logo, "T05013" Left Hand	1
	4989	Logo, "T5013" Right Hand	1
	4984	Logo, "T1400" Left Hand	1
	4985	Logo, "T1400" Right Hand	1
	4897	Logo, "T1800" Left Hand	1
	4898	Logo, "T1800" Right Hand	1
101	4100	Grommet	1
102	1553	Roll Pin, 1/8" dia. x 1 1/2"	2
103	1680	Spacer	2
104	7228	Belt Guide	1
	7241	Belt Guide (T1400 & T1800)	1
105	4659	Bolt, M5 x 16 mm	1
106	3608	Setscrew, 5/16" UNF x 1 1/4"	1
107	7092	Swivel	1
108	7093	Rod, Adjuster	1
109	7190	Spring	1
110	2276	Steering Gear	1
111	3403	Steering Quadrant	1
112	3401	Bridge, Steering Quadrant	1
113	3475	Steering Column	1
114	3400	Bush, Steering Quadrant	1
115	6775	Steering Rod	1
	5485A	Steering Rod (Kohler engine models, cranked)	1
116	7090	Brace, Electromagnetic Clutch	1
117	7088	Pulley Block	1
	7684	Spacer	1
	6796	Pulley Block, S Series	1
118	3728	Drive Key, 1/4" Square x 7/8"	1
119	7259	Clutch, Electric - T Series	1
	1558	Pulley, S1200	1
	3750	Pulley, S800 & S1000	1
120	6536	Washer	1
121	7284	Bolt, 7/16" UNF x 4" (B&S engines, manual)	2

Item	Part No	Description	Qty
	7532	Bolt (Hydro)	2
	7516	Bolt, M10 x 110 (Kohler engines)	2
122	7848	Strip, Mudflap Retaining	1
123	7850	Mudflap	1
124	6661	Label, Gear Change Warning	1
125	6593	Packing Strip	1
126	1699	Steering Foot	1
127	1969	Locknut, 5/16" UNF	2
128	7091	Guard Plate - T Series	1
	4255	Guard Plate - S Series	1
	4256	Belt Guide	2
129	7874	Console Assembly	1
	6802	Console Assembly (S1200 only)	1
130	7320	Chassis Assembly	1
131	1602	Key, 1/4" Square x 1"	1
		NOT ILLUSTRATED	
	7331	Fuel Valve in line	1
	1318	Engine Bolts	
	1273	Engine Nuts	
	3613	Engine Washers	
	2351	Engine Spacer	
		NOTES:	
		Pulley Block Spacer on S1000 to lower deck drive pulley by 1/2" use:	
	3444	Spacer (Not illustrated)	1
	7337	Screw (Not illustrated)	3



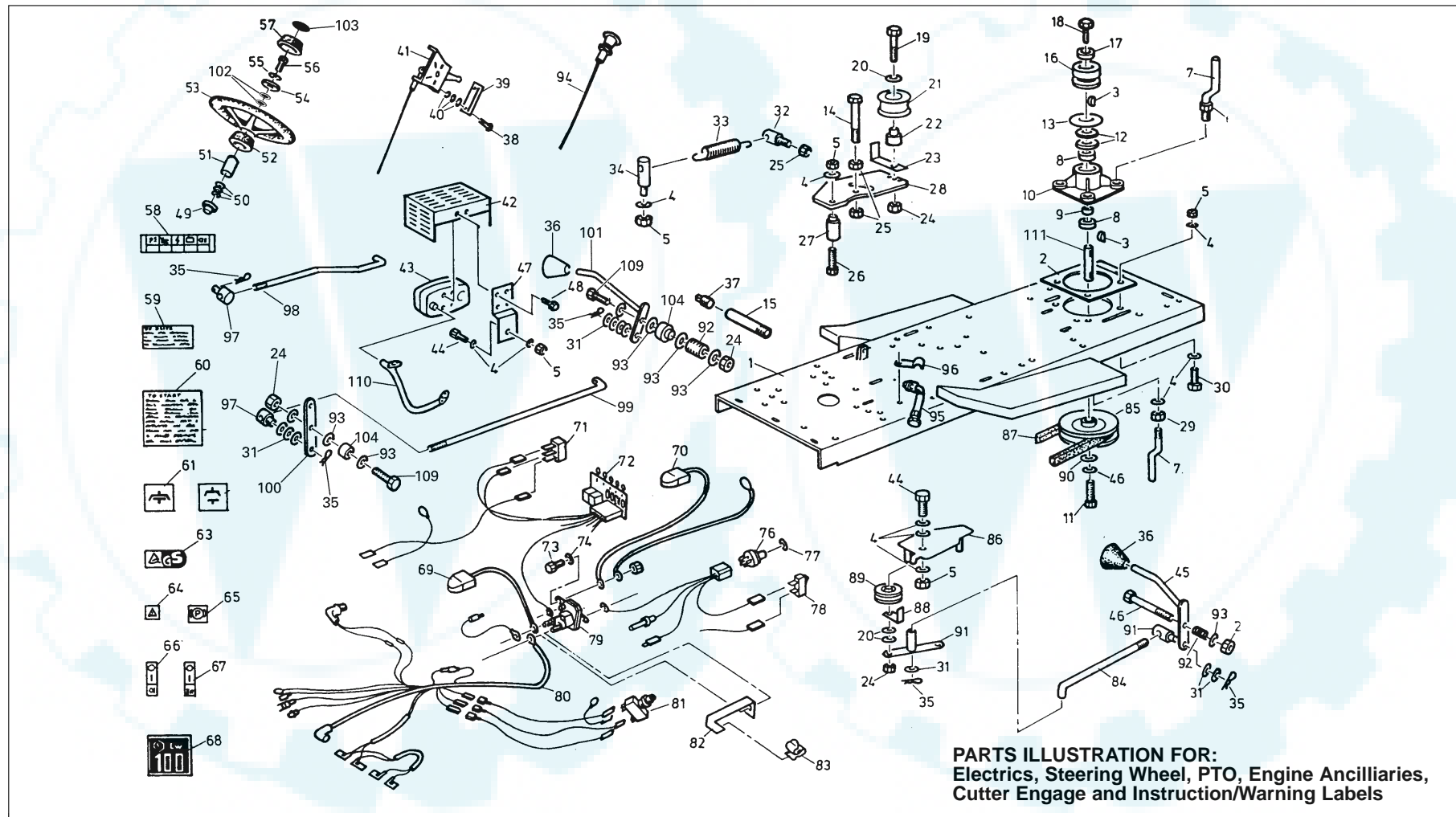


PARTS LIST FOR: Transmission, Gear change and PGC Lifting Mechanism

Item	Part No	Description	Qty
1	7999	Screw, Button Socket Head	2
2	1324	Nut, 3/8" UNF Nyloc	11
3	7715	Lifting Arm	2
4	3146	Spacer	2
5	3610	Setscrew, 3/8" UNF x 1 1/2"	2
6	1323	Washer, 3/8" dia. T3LP	19
7	7851	Rectangular Sleeve	1
8	7835	Lifting Link, Left Hand	1
9	6495	Plate, Chassis Strengthening	2
10	1948	Setscrew, 3/8" UNF x 1 1/4"	2
11	7710	Mounting Frame	1
	4963	Mounting Frame – S1200 only	1
12	1054	Bot, 3/8" UNF x 1 1/2"	1
13	2246	Towing Hitch	1
14	3117	Spacer	2
15	7709	Lifting Shaft	1
	1976	Washer, 5/8" dia.	1
	2589	E clip	2
16	3539	Bush, Nylon	2
17	8165	Roll Pin, 1/8" dia. x 3/4"	2
18	7716	Lifting Link, Right Hand	1
19	7713	Lifting Lever	1
20	3613	Washer, 5/16" dia. T5	8
21	4107	Setscrew, 5/16" UNF x 1/2" Nyloc	2
22	6083	Handgrip	1
23	4083	"R" Clip (Small)	1
24	1105	Washer, 5/16" dia. T3LP	15
25	1694	Swivel	1
26	1982	Setscrew, 5/16" UNF x 3/4"	7
27	3414	Switch, Brake Safety	1
28	6394	Bracket, Safety Switch	1
29	4192	Split Pin, 3/32" dia. x 1/2"	2
30	2594	Spring	1
31	2592	Chain	1
32	1067	Washer, 4BA	4

Item	Part No	Description	Qty
33	6401	Brake Rod	1
34	6082	Foot Pedal	1
35	2009	Foot Pedal Rubber	1
36	4124	Washer, 3/8" dia. T5	2
37	1233	Split Pin, 1/8" dia. x 5/8"	2
38	1267	Bolt, 3/8" UNF x 2 1/2"	2
39	2103	Clutch Spring	1
40	3792	Locknut, 3/8" UNF	2
41	1633	Washer, 3/8" dia. Shakeproof	4
42	7230	Chassis	1
43	2648	Knob, 3/8"	1
44	7383	Park Brake Plunger	1
45	6438	Bolt, Park Brake Plunger	1
46	7283	Stud, Hanger Bar	2
47	2003	Spring, Park Brake	1
48	2831	Bracket, Transaxle Front	2
49	3683	Spacer	3
50	2031	Setscrew, 5/16" UNF x 1"	2
51	1270	Nut, 1/4" UNF Nyloc	2
52	1331	Washer, 1/4" dia.	4
53	2356	Plate, Brake Extension	1
54	1156	Setscrew, 1/4" UNF x 3/4"	2
55	6812	Boss, Jockey Plate	1
56	1319	Bolt, 3/8" UNF x 2"	2
57	6813	Plate, Jockey Pulley	1
58	5478	Bush, Jockey Pulley	2
59	5477	Belt Guide	2
60	5822	Jockey Pulley	2
61	2847	Washer, Jockey Pulley	4
62	3610	Setscrew, 3/8" UNF x 1 1/2"	3
63	4204	Circlip, 5/8" dia.	1
64	3392	Pulley, Transaxle	1
	3395	Pulley, Transaxle (T1400 & T1800)	1
65	1688	Belt, Transmission	1
	6888	Belt, Transmission (Kohler engines)	1

Item	Part No	Description	Qty
66	2019	Transaxle, Peerless 801-030	1
67	7986	Flap	2
	7898	Retaining Strip	2
68	4328	Spacer, Hanger Bar	1
69	7286	Screw, M8 x 25 mm Taprite	4
70	1978	Bolt, 5/16" UNF x 2 1/2"	4
71	3908	Washer, 3/4" dia. T4L	4
72	1715	Spacer, Rear Wheel	2
73	1664	Key, 3/16" Square x 2"	2
74	4233	Retaining Strip	1
75	4220	Rubber Flap	1
76	4041	Washer, M4	5
77	3711	Nut, M4 Nyloc	5
78	3710	Setscrew, M4 x 12 mm	5
79	7129	Link, Gear Change	1
80	4086	"R" Clip (Small)	2
81	7131	Bracket, Gear Change	1
82	2022	Setscrew, 1/4" UNF x 1 1/4"	1
83	1613	Spring, Compression	1
84	3991	Hanger Bar	1
85	1680	Spacer	2
86	8019	Lever, Gear Change	1
87	2649	Knob, 1/2"	1
88	6626	Swivel, Gear Change	1
89	6625	Rod, Gear Change	1
90	3320	Bracket, Grass Deflector Rear	2
91	6487	Ball Joint	1
92	1273	Nut, 5/16" UNF Nyloc	6
93	4949	Grass Deflector	1
94	1979	Halfnut, 3/8" UNF	1
95	6624	Lever, Cranked	1
96	4242	Washer, Gear Change	1
97	3483	Bracket, Transaxle Support	2
98	3321	Bracket Deflector Support	?



PARTS ILLUSTRATION FOR:
Electrics, Steering Wheel, PTO, Engine Ancillaries,
Cutter Engage and Instruction/Warning Labels



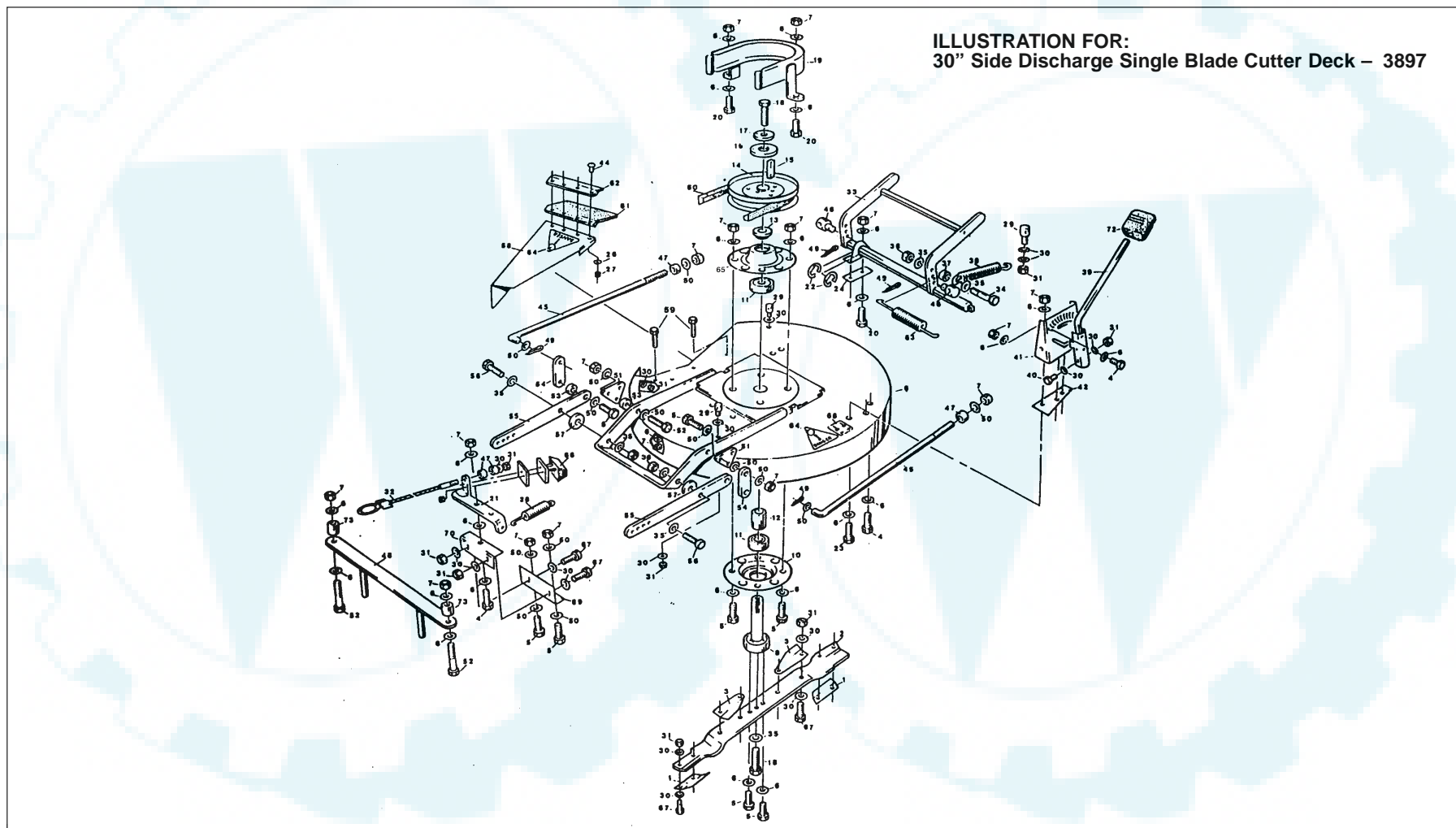
PARTS LIST FOR: Electrics, Steering Wheel, PTO, Engine Ancillaries, Cutter Engage and Instruction/Warning Labels

Item	Part No	Description	Qty	Item	Part No	Description	Qty	Item	Part No	Description	Qty
1	7230	Chassis	1	32	3516	Spring retainer	1	64	4967	Label, Hazard Warning	3
2	6617	Plate, PTO Mounting	1	33	2103	Spring	1	65	3437	Label, Park Brake	1
	6696	Plate, Blanking (S800 & S1000)	1	34	3995	Spring Retainer	1	66	3431	Label, Headlamp Switch	1
3	3841	Key, 1/4" Square x 3/4"	2	35	4086	"R" Clip (Small)	1	67	7360	Label, Cutter Switch	1
4	3613	Washer, 5/16" dia. T5	16	36	2648	Knob	1	68	4972	Label, EEC Noise Conformity	1
5	1273	Nut, 5/16" UNF Nyloc	9	37	3742	Plug, Oil Drain	1	69	2090	Battery Connector, Red	1
6	2040	Nut, 5/16" UNF Plain	1	38	2021	Machine Screw, 4BA x 1/2"	2	70	2091	Battery Connector, Blue	1
7	6662	Guide, PTO Belt	2	39	4146	Plate, Throttle	1	71	7330	Switch, Cutter Engage	1
8	1180	Bearingm 6205-2RS	2	40	1067	Washer, 4BA	6	72	7683	PCB (B&S 12 1/2 hpTri-Circuit)	1
9	4245	Spacer, Bearing	1	41	1507	Throttle (S Series machines)	1		3587	PCB	1
10	4818	Bearing Housing, PTO	1		5482	Throttle (B&S + Kohler 12 1/2 hp)	1		5484	PCB (T1400 & T1800)	1
11	1054	Setscrew, 3/8" UNF x 1 1/2"	11		5444	Throttle (Kohler 18hp)	1		3586	PCB (D1200 Diesel)	1
12	3618	Washer	2		7639	Throttle	1	73	1156	Setscrew, 1/4" UNF x 3/4"	2
13	4308	Washer	1	42	7751	Shield, Muffler (B&S 14hp)	1	74	1331	Washer, 1/4" dia. T3L	4
14	3396	Bolt, 1/4" UNF x 2 1/2"	1	43	7351	Muffler, Exhaust (B&S 14hp)	1	75	8055	Relay in Harness (Not illustrated)	1
15	6173	Tube, Oil Drain (B&S)	1	44	2031	Setscrew, 5/16" UNF x 1"	1	76	2703	Switch Ignition	1
	6172	Tube, Oil Drain (Kohler 12 1/2hp)	1	45	7110	Lever, PTO Engage	1	77	6523	Washer, Ignition Switch	1
	7852	Tube, Oil Drain (B&S 14hp)	1	46	1318	Bolt, 5/16" UNF x 2"	1	78	7329	Switch, Headlamp	1
	6174	Tube, Oil Drain (Kohler 18hp)	1	47	7592	Bracket, Muffler (B&S 14hp)	1	79	1530	Solenoid	1
16	4337	Pulley, PTO Drive	1	48	2030	Setscrew, 1/4" UNC x 3/4"	4	80	6784	Wiring Loom (S Series models)	1
17	1006	Washer, Hardened Domed	1	49	3539	Bush	2		7998	W/Loom (B&S 12 1/2hp Tri-Circuit)	1
18	1051	Setscrew, 3/8" UNF x 1"	1	50	1976	Washer, 5/8" dia.	3		7723	W/Loom (B&S 12 1/2hp Regulator)	1
19	1319	Bolt, 3/8" UNF x 2"	2	51	4770	Spacer, Steering Column	1		7630	Wiring Loom (T1400)	1
20	2847	Washer, Jockey Pulley	6	52	5426	Shroud, Steering Wheel	1		6785	Wiring Loom (Kohler engines)	1
21	5822	Jockey Pulley	1	53	3946	Steering Wheel	1		6756	Wiring Loom (D1200 Diesel)	1
22	5478	Bush, Jockey Pulley	1	54	4808	Washer, Hardened	1	81	6422	Seat Switch (Arcolec' C0290)	1
23	5477	Belt Guide	1	55	4771	Washer, Steering Wheel	1	82	7829	Fuse Bracket	1
24	1324	Nut, 3/8" UNF Nyloc	4	56	3637	Setscrew, 5/16" UNF Nyloc	1	83	7564	Clip	1
25	1270	Nut, 1/4" UNF Nyloc	2	57	5425	Cover, Steering Wheel	1	84	7107	Rod Adjustable	1
26	1978	Setscrew, 5/16" UNF x 2 1/2"	1	58	3956	Label, Indicator Lights	1	85	6815	Pulley, PTO Driven	1
27	6452	Bush, PTO Jockey Plate	2	59	7918	Label, "TO DRIVE" Manual	1	86	6808	Plate, Jockey	1
28	7278	Plate, PTO Jockey Pulley	1	60	7917	Label, "TO START" Manual	1	87	7229	Belt, PTO	1
29	1969	Nut, 5/16" UNF Plain	1	61	3435	Label, Cutter Disengage	1		7239	Belt, PTO (T1400,T1800 & D1200 Diesel)	1
30	1982	Setscrew, 5/16" UNF x 3/4"	3	62	3436	Label, Cutter Engage	1		6888	Belt, PTO (Kohler 12 1/2hp)	1
31	1105	Washer, 5/16" dia.	3	63	MX672	Label, "GS" TÜV Licence Mark	1				



PARTS LIST FOR:
Electrics, Steering Wheel, PTO, Engine Ancilliaries,
Cutter Engage and Instruction/Warning Labels

Item	Part No	Description	Qty	Item	Part No	Description	Qty	Item	Part No	Description	Qty
88	5735	Belt Guide	2								
89	6970	Pulley, PTO Jockey	2								
90	3635	Washer	1								
91	6811	Arm, Jockey Pulley	1								
92	1613	Spring	1								
93	1323	Washer, 3/8" dia.	2								
94	7350	Choke Control (14 & 18 hp)	1								
	3605	Label – Choke Control	1								
95	7852	Oil Drain and Adaptor (T1400)	1								
96	7853	Clip, Drain Pipe (T1400)	1								
97	1695	Swivel, Engage Rod	1								
98	7534	Engage Rod, Short (S1200)	1								
	6395	Engage Rod, Short (S800 & S1000)	1								
99	6396	Engage Rod, long (S Series only)	1								
100	6397	Link, Transfer (S Series only)	1								
101	6400	Lever, Engage (S Series only)	1								
102	2840	Clips	2								
103	7394	Insert	1								
104	3146	Spacer	2								
109	1948	Setscrew 3/8" UNF x 1 1/4"	1								
110	7548	Exhaust	1								
111	6805	PTO Shaft	1								



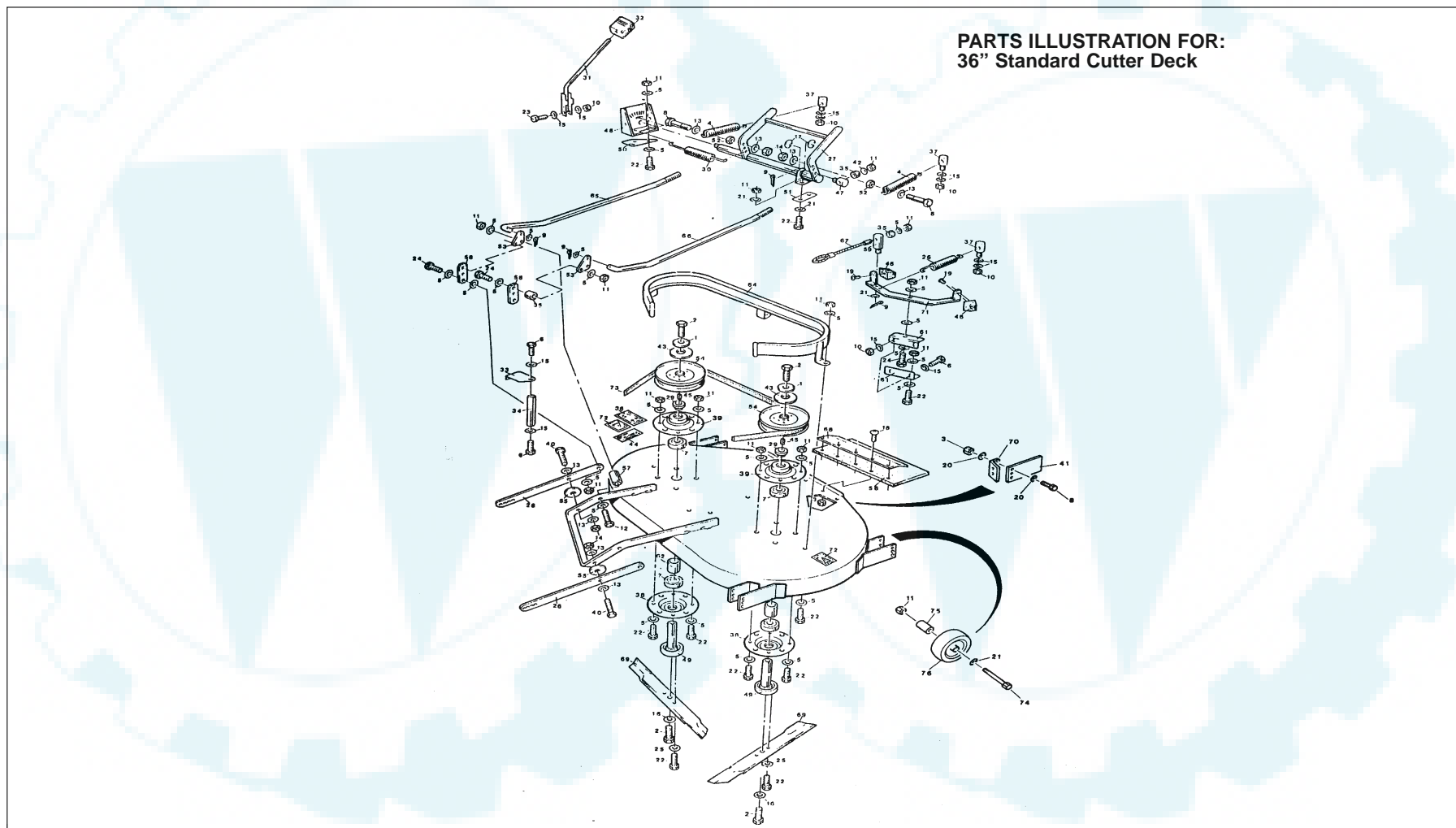


PARTS LIST FOR: 30" Side Discharge Cutter Deck – 3897

Item	Part No	Description	Qty
1	4314	Blade extension, small	2
2	5453	Cutter blade	1
	6093	Reinforcing strip	1
3	4317	Blade extension, large	2
4	2031	Setscrew, 5/16" UNF x 1"	18
5	1982	Setscrew, 5/16" UNF x 3/4"	4
6	1970	Washer, 5/16" dia.	22
7	1273	Nut, 5/16" UNF Nyloc	26
8	3871	Deck, welded assembly	1
9	3759	Cutter shaft	1
10	3552	Bearing housing (lower)	1
11	1180	Bearing, NSK6205-RS	2
12	4848	Spacer, bearing	1
13	2412	Spacer, pulley	1
14	5435	Pulley, 8" dia.	1
15	3841	Key, 1/4" square x 1"	1
16	3635	Washer	1
17	1006	Washer, spring domed	1
18	1051	Setscrew, 3/8" UNF x 1" Nyloc	2
19	2425	Pulley guard	1
20	2032	Bolt, 5/16" UNF x 1 1/4"	2
21	3737	Brake arm	1
22	1663	"E" Clip	2
23	3608	Setscrew, 5/16" UNF x 1 1/4"	2
24	3781	Spacer plate	1
25	1956	Screw, Self tapping No. 8	2
26	1962	Washer, 2BA	9
27	1053	Nut, 2 BA	4
28	2103	Tension spring	1
29	3516	Pin, spring retaining	3
30	1331	Washer, 1/4" dia.	25
31	1270	Nut, 1/4" UNF Nyloc	16
32	3739	Brake cable	1
33	3884	Hanger bar	1
34	2025	Bolt, 3/8" UNF x 2 1/2"	2

Item	Part No	Description	Qty
35	1323	Washer, 3/8" dia.	14
36	1324	Nut, 3/8" UNF Nyloc	7
37	3792	Locknut, 3/8" UNF	2
38	2217	Tension spring	2
39	3881	Lever, height adjuster	1
40	2022	Bolt, 1/4" UNF x 1 1/4"	1
41	3883	Quadrant, height adjuster	1
42	2429	Reinforcing plate	1
43	1633	Washer, 3/8" shakeproof	1
44	1735	Machine screw, 2BA x 3/4"	4
45	3734	Hitch rod	2
46	3740	Pivot, hitch rod	2
47	3397	Spacer	1
48	3746	Belt guide	1
49	1233	Split pin, 1/8" dia. x 1"	4
50	1105	Washer, 5/16" dia.	34
51	3907	Link plate	2
52	1321	Bolt, 5/16" UNF x 1 1/2"	2
53	3691	Bush	2
54	3760	Link plate	2
55	2420	Hitch bar	2
56	3610	Setscrew, 3/8" UNF x 1 1/2"	2
57	4124	Washer, 3/8" dia.	2
58	8077	Cutter guard	1
59	2015	Setscrew, 3/8" UNF x 1"	3
60	1767	Drive belt, 42-5084	1
61	3905	Rubber flap	1
62	3903	Retaining plate	1
63	2595	Tension spring	1
64	7515	Warning label	2
65	8048	Bearing housing (upper)	1
	1423	Grease nipple	1
66	3730	Brake block	1
67	1156	Setscrew, 1/4" UNF x 3/4"	8
68	3439	Label, height adjuster	1

Item	Part No	Description	Qty
69	3618	Washer	1
70	4320	Brake arm support	2
71		Not Allocated	
72	2649	Knob	1
73	4372	Spacer	2
74	2048	Washer	2



**PARTS ILLUSTRATION FOR:
36" Standard Cutter Deck**

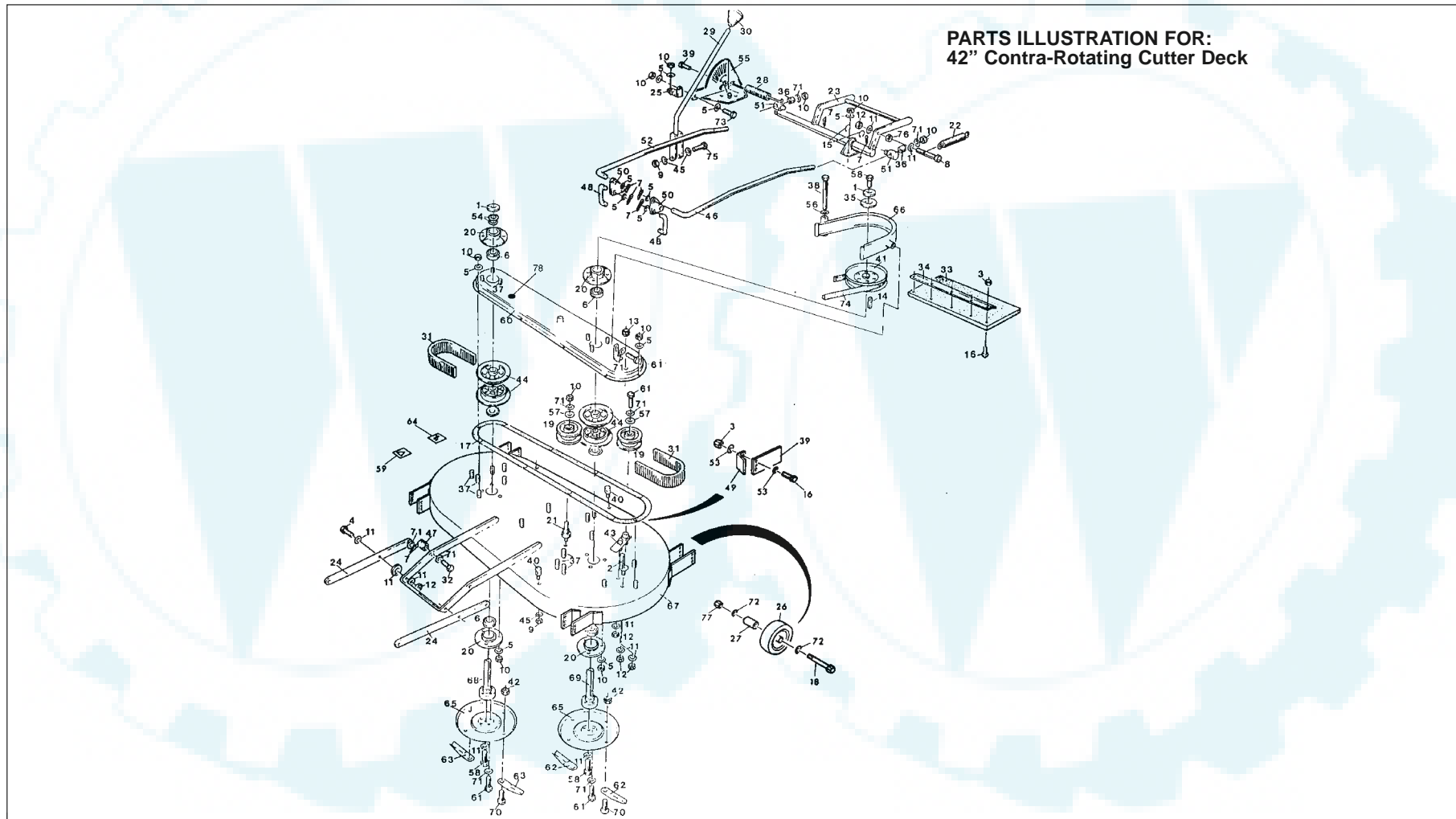


PARTS LIST FOR: 36" Standard Cutter Deck

Item	Part No	Description	Qty
1	1006	Washer, hardened domed	2
2	1051	Setscrew, 3/8" UNF x 1"	4
3	1053	Nut, 2BA Nyloc	9
4	1076	Tension spring	2
5	1105	Washer, 5/16" dia.	28
6	1156	Setscrew, 1/4" UNF x 3/4"	4
7	1180	Bearing, NSK6205-RS	4
8	2025	Bolt, 3/8" UNF x 2 3/4"	2
9	1233	Split pin, 1/8" dia x 3/4"	4
10	1270	Nut, 1/4" UNF Nyloc	5
11	1273	Nut, 5/16" UNF Nyloc	28
12	1318	Bolt, 5/16" UNF x 2"	2
13	1323	Washer, 3/8" dia	8
14	1324	Nut, 3/8" UNF Nyloc	4
15	1331	Washer, 1/4" dia.	9
16	1633	Washer, 3/8" shakeproof	2
17	1663	"E" Clip, AM1500-75	2
18	1735	Screw, 2BA x 3/4" long	9
19	1956	Screw, No. 8 x 1" Self tap	4
20	1962	Washer, 2BA	8
21	1970	Washer, 5/16" dia.	25
22	1982	Setscrew, 5/16" x 3/4"	19
23	2022	Bolt, 1/4" UNF x 1 1/4"	1
24	2031	Setscrew, 5/16" UNF x 1"	10
25	2048	Washer, 5/16" shakeproof	4
26	2103	Spring tension	1
27	2395	Hanger bracket	1
28	2410	Hitch bar	2
29	2412	Bush, pulley	2
30	2595	Tension spring	1
31	7646	Lever, height adjuster	1
32	2649	Knob	1
33	3294	Safety guard	1
34	3295	Post, safety guard	1
35	3397	Spacer, 1/4 long	3

Item	Part No	Description	Qty
	3329	Spacer, 7/16" long	3
36	3439	Label, height adjuster	1
37	3516	Spring retainer	3
38	3552	Bearing housing (lower)	2
39	8060	Bearing housing (upper)	2
40	3610	Setscrew, 3/8" UNF x 1 1/2"	2
41	2209	Deflector rubber	2
42	3616	Washer, 5/16" dia.	2
43	3635	Washer (S1200 only)	2
44	7138	Label, Serial number	1
45	3841	Key, 1/4" square x 3/4"	2
46	3730	Brake block	2
47	3740	Pivot, lift rod	2
48	3753	Quadrant, height adjuster	1
49	3759	Cutter shaft	2
50	3779	Spacer plate (Quadrant)	1
51	3781	Spacer plate (Hanger bkt)	1
52	3792	Locknut, 3/8" UNF	1
53	3907	Link plate	2
54	7386	Pulley	2
	3943	Pulley (S1200 only)	2
55	4124	Washer, 3/8" dia.	2
56	4220	Rubber flap	1
57	4221	Bush, link	2
58	3760	Link arm	2
59	4232	Pillar, brake arm	1
60		Not Allocated	
61	4320	Bridge, brake arm	2
62	4848	Spacer, bearing	2
63	7387	Cutter deck shell	1
	4934	Cutter deck shell (S1200)	1
64	4937	Guard, pulley/belt	1
65	4939	Hitch rod, RH	1
66	4940	Hitch rod, LH	1
67	4941	Brake cable (S1200 only)	1

Item	Part No	Description	Qty
68	4242	Retaining strip	1
69	4943	Cutter blade	2
70	7997	Plate, attachment	2
71	4946	Brake arm (S1200 only)	1
72	7515	Label, hazard warning	2
73	1721	Belt (S1200/36 only)	1
	7604	Belt	1
74	1312	Bolt, 5/16" UNF x 3"	4
75	4774	Sleeve	4
76	7320	Wheel, anti scalp	4



**PARTS ILLUSTRATION FOR:
42" Contra-Rotating Cutter Deck**



PARTS LIST FOR: 42" Contra-Rotating Cutter Deck

Item	Part No	Description	Qty
1	1006	Washer, hardened domed	2
2	6748	Cam adjuster shaft	1
3	1053	Nut, 2BA Nyloc	9
4	6119	Bolt, M10 x 40 mm long	2
5	6122	Washer, M8 (Form B)	28
6	1180	Bearing NSK 6205-RS	4
7	1233	Split pin, 1/8" x 3/4" long	8
8	6317	Bolt, M10 x 70mm long	2
9	1270	Nut, 1/4" UNF Nyloc	7
10	2044	Nut, M8 Nyloc	46
11	6125	Washer, M10	18
12	2761	Nut, M10 Nyloc	7
13	6744	Grommet	1
14	3841	Drive key, 1/4" square	1
15	1663	"E" Clip (A1500-75)	2
16	1735	Screw 2BA x 3/4" Pozi-Pan	9
17	6747	Gasket	1
18	1312	Bolt, 5/16" UNF x 3"	4
19	6772	Tension pulley	2
20	8047	Bearing housing	4
21	6731	Boss, idler pulley	1
22	1076	Tension spring	2
23	6741	Hanger bracket	1
24	2410	Hitch bar	2
25	4876	Quadrant bracket	1
26	7320	Wheel, anti-scalp	4
27	4774	Sleeve	
28	2595	Spring	1
29	7646	Lever, height adjuster	1
30	2649	Knob	1
31	6732	Tooth belt, double sided	1
32	3653	Setscrew, M8 x 40mm	2
33	3286	Rubber flap	1
34	3287	Deflector bracket	1
35	3635	Washer	1

Item	Part No	Description	Qty
36	3329	Spacer	2
37	MX623	Knurled Stud	29
38	6751	Bolt, M8 x 65mm long	1
39	2209	Deflector rubber	1
40	3516	Spring retainer	2
41	7386	Pulley	1
42	3585	Nut, 12mm Nyloc	4
43	6728	Plate, tension	1
44	3636	Pulley, toothed	2
45	1331	Washer, 1/4" dia.	3
46	6742	Hitch rod, left hand	1
47	3691	Bush, link	2
48	3694	Hitch link, bent	2
49	7997	Plate, attachment	1
50	3735	Link plate	2
51	3740	Pivot, lift rod	2
52	6743	Hitch rod, right hand	1
53	1962	Washer, 2BA	8
54	3618	Washer, 23 x 35 x 4mm	8
55	3794	Plate, height adjuster	1
56	2048	Washer, 5/16" dia. s/proof	1
57	1666	Washer, 10 mm x 40 mm	2
58	6117	Setscrew, M10 x 25 mm	4
59	7515	Label Hazard Warning	2
60	6737	Belt case	1
61	5849	Setscrew, M8 x 20mm Nyloc	11
62	6897	Blade swing, left hand	2
63	6898	Blade swing, right hand	2
64	3439	Label, height adjuster	1
65	6719	Blade dish	2
66	6739	Guard, drive pulley	1
67	7392	Cutter deck	1
68	6722	Cutter shaft, short	1
69	6724	Cutter shaft, long	1
70	4885	Pivot bolt, (AIS 14042)	4

Item	Part No	Description	Qty
71	6123	Washer, M8 (Form C)	17
72	1970	Washer, 5/16" dia.	8
73	2764	Setscrew, M8 x 20 mm	1
74	8003	Drive Belt	1
75	2022	Setscrew, 1/4" UNF x 1 1/4"	1
76	6116	Nut, M10 plain	2
77	1273	Nut, 5/16" UNF Nyloc	4
78	6966	Inspection Cap	1